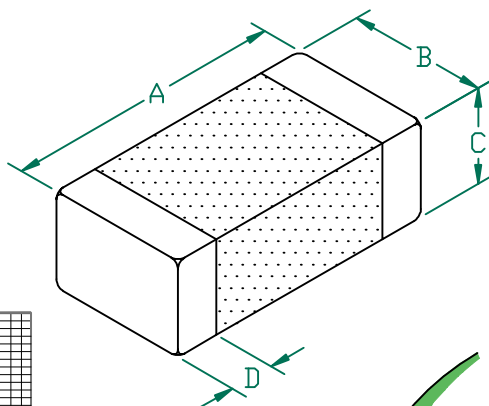


PHYSICAL DIMENSIONS:

- A 3.20 [.126] \pm 0.20 [.008]
- B 1.60 [.063] \pm 0.20 [.008]
- C 1.10 [.043] \pm 0.20 [.008]
- D 0.51 [.020] \pm 0.25 [.010]

HZ1206E152R-10

UNCONTROLLED DOCUMENT



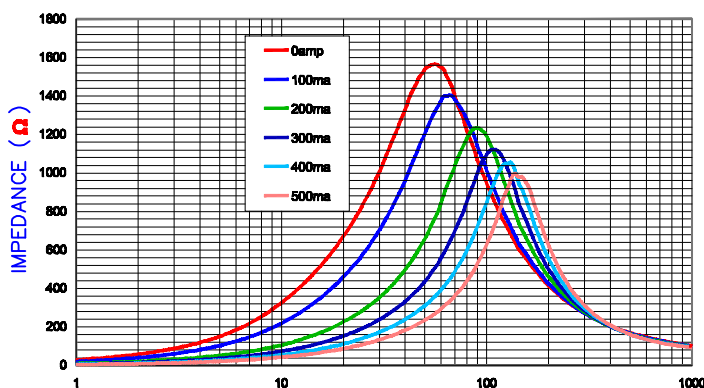
ELECTRICAL CHARACTERISTICS:

Z @ 50MHz (Ω)	DCR (Ω)	Rated Current
Nominal	1500	
Minimum	1250	
Maximum	1875	500 mA

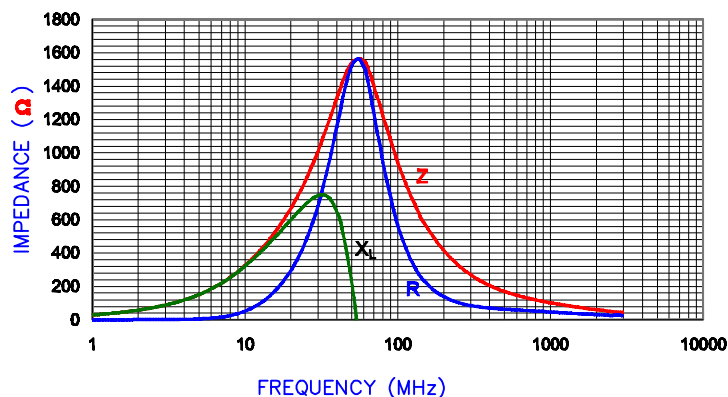
NOTES: UNLESS OTHERWISE SPECIFIED

1. TAPED AND REELED per CURRENT EIA SPECIFICATIONS 7" REELS, 3000 PCS/REEL.
2. COMPONENTS SHOULD BE ADEQUATELY PREHEATED BEFORE SOLDERING.
3. TERMINATION FINISH IS 100% TIN.

Z vs FREQUENCY
IMPEDANCE UNDER DC BIAS

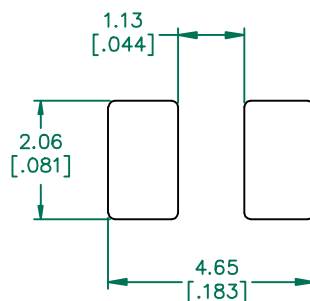


|Z|, R, AND X vs. FREQUENCY



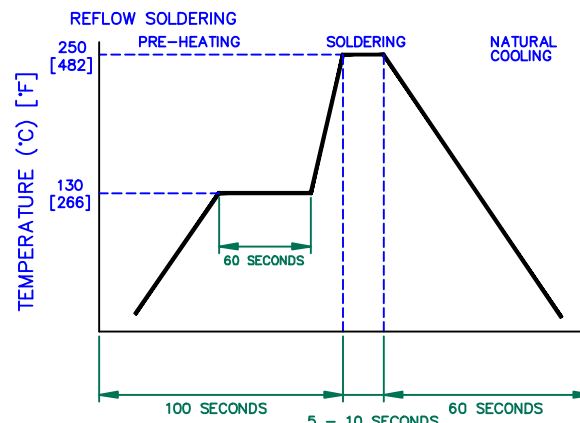
Z **R** **X_L**

LAND PATTERNS FOR REFLOW SOLDERING



(For wave soldering, add 0.762 [0.030] to this dimension)

RECOMMENDED SOLDERING CONDITIONS



DIMENSIONS ARE IN mm [INCHES].				This print is the property of Laird Tech. and is loaned in confidence subject to return upon request and with the understanding that no copies shall be made without the written consent of Laird Tech. All rights to design or invention are reserved.		Laird TECHNOLOGIES	
PROJECT/PART NUMBER:				REV	PART TYPE:	DRAWN BY:	
HZ1206E152R-10				B	CO-FIRE	JRK	
B	UPDATE COMPANY LOGO AND ROHS SYMBOL	03/24/08	JRK	DATE:	02/16/05	SCALE:	NTS
A	ORIGINAL DRAFT	02/16/05	JRK	CAD #	HZ1206E152R-10-B	TOOL #	-
REV	DESCRIPTION	DATE	INT			SHEET: 2 of 2	